

HYL-020RB0500G097ADC

Constant current LED driver

Product description

- I built-in constant current LED Driver
- I Adjustable output current between 350 and 500mA via DIP switch
- I Max. output power 20 W
- I Up to 88 % efficiency
- I For luminaires of protection class II
- I Nominal life-time up to 50,000 h
- I 5-year guarantee



Benefits

- I Application-oriented operating window for maximum compatibility
- I Long lasting and high reliability
- I PC Plastic material housing 43 x 30 mm

Interfaces

- I Terminal blocks: 45° push terminals

Applications

- I Linear and area lighting
- I Office – industrial – shop

Approval marks

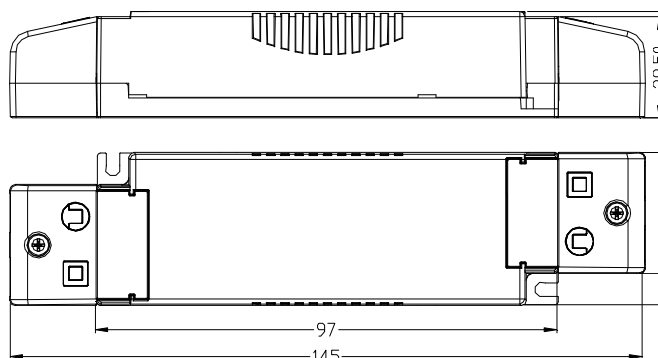


In preparation, if not already printed on product label



Technical data

Rated supply voltage	220 – 240 V
AC voltage range	198 – 264 V
DC voltage range	NA
Mains frequency	50 / 60 Hz
Overvoltage protection	n.a
Typ. current (at 230 V, 50 Hz, full load)	50 – 100 mA
Leakage current (at 230 V, 50 Hz, full load)	< 500 μ A
Max. input power	23W
Typ. efficiency (at 230 V / 50 Hz / full load)	0.88
λ (at 230 V, 50 Hz, full load)	0.95
Typ. power input on stand-by	n.a
Typ. input power in no-load operation	n.a
In-rush current (peak / duration)	10A/180 μ s
THD (at 230 V, 50 Hz, full load)	<10 %
Time to light (at 230 V, 50 Hz, full load)	n.a
Time to light (DC mode)	n.a
Switchover time (AC/DC)	n.a
Turn off time (at 230 V, 50 Hz, full load)	< 4 ms
Output current tolerance	\pm 3 %
Output current ripple	\pm 5 %
Max. output voltage (no-load voltage)	60 V
Dimming range	n.a
Mains surge capability (between L – N)	2kV
Mains surge capability (between L/N – PE)	n.a
Surge voltage at output side (against PE)	n.a
Dimensions L x W x H	97x43x30 mm



Units: mm

Ordering data

Type	Packaging	Weight per carton
HYL-020RB0500G097ADC	60 pc(s)	0.086 Kg

Specific technical data

Type	PIN 2	PIN 3	Output current (mA)	Min. forward voltage (V)	Max. forward voltage (V)	Min. output power (W)	Max. output power (W)	Typ. power consumption (at 230 V, 50 Hz, full load) (W)	Typ. current consumption (at 230 V, 50 Hz, full load)(A)
HYL-020RB0500G097ADC	~	~	500	28	40	14	20	22.2	0.100
	~	™	450	28	40	12.6	18	20.1	0.093
	™	~	400	28	40	11.2	16	18.7	0.084
	™	™	350	28	40	9.8	14	16	0.074