

HYL-028R0700G097

Constant current LED driver

Product description

- built-in constant current LED Driver
- Adjustable output current between 550 and 700mA via DIP switch
- Max. output power 28 W
- Up to 87 % efficiency
- For luminaires of protection class II
- Nominal life-time up to 50,000 h
- 5-year guarantee



Benefits

- Application-oriented operating window for maximum compatibility
- Long lasting and high reliability
- PC Plastic material housing 43 x 30 mm

Interfaces

- Terminal blocks: 45° push terminals

Applications

- Linear and area lighting
- Office – industrial – shop

Approval marks

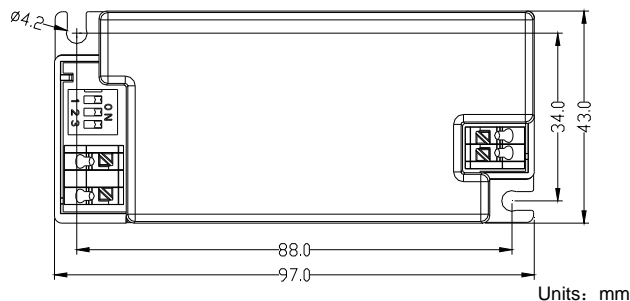
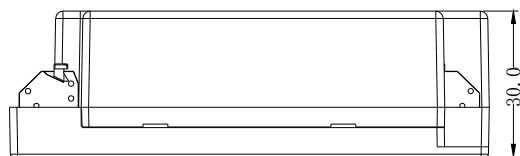


In preparation, if not already printed on product label



Technical data

| | |
|--|-----------------|
| Rated supply voltage | 220 – 240 V |
| AC voltage range | 198 – 264 V |
| DC voltage range | n.a |
| Mains frequency | 50 / 60 Hz |
| Overvoltage protection | n.a |
| Typ. current (at 230 V, 50 Hz, full load) | 110 – 150 mA |
| Leakage current (at 230 V, 50 Hz, full load) | < 500 μ A |
| Max. input power | 34W |
| Typ. efficiency (at 230 V / 50 Hz / full load) | 0.87 |
| λ (at 230 V, 50 Hz, full load) | 0.95 |
| Typ. power input on stand-by | n.a |
| Typ. input power in no-load operation | n.a |
| In-rush current (peak / duration) | 19A/180 μ s |
| THD (at 230 V, 50 Hz, full load) | <10 % |
| Time to light (at 230 V, 50 Hz, full load) | n.a |
| Time to light (DC mode) | n.a |
| Switchover time (AC/DC) | n.a |
| Turn off time (at 230 V, 50 Hz, full load) | < 4 ms |
| Output current tolerance | \pm 5 % |
| Output current ripple | \pm 5 % |
| Max. output voltage (no-load voltage) | 60 V |
| Dimming range | n.a |
| Mains surge capability (between L – N) | 1 kV |
| Mains surge capability (between L/N – PE) | n.a |
| Surge voltage at output side (against | n.a |
| Dimensions L x W x H | 97x43x30 mm |



DIP Switch

DIP Switch


Ordering data

| Type | Packaging carton | Weight per pc. |
|------------------|------------------|----------------|
| HYL-028R0700G097 | 100 pc(s) | 0.120 Kg |

Specific technical data

| Type | DIP Switch | | Output current (mA) | Min. forward voltage (V) | Max. forward voltage (V) | Min. output power (W) | Max. output power (W) | Typ. power consumption (at 230 V, 50 Hz, full load) (W) | Typ. current consumption (at 230 V, 50 Hz, full load) (A) |
|------------------|------------|-------|---------------------|--------------------------|--------------------------|-----------------------|-----------------------|---|---|
| | PIN 1 | PIN 2 | | | | | | | |
| HYL-028R0700G097 | ● | ● | 700 | 28 | 40 | 19.6 | 28 | 32.5 | 0.144 |
| | ● | ○ | 650 | 28 | 40 | 18.2 | 26 | 30.1 | 0.134 |
| | ○ | ● | 600 | 28 | 40 | 16.8 | 24 | 28.2 | 0.124 |
| | ○ | ○ | 550 | 28 | 40 | 15.4 | 22 | 25.1 | 0.115 |

ACCESSORIES

Product description

- Optional strain-relief set for independent applications
- Transforms the LED Driver into a fully class II compatible LED Driver (e.g. ceiling installation)

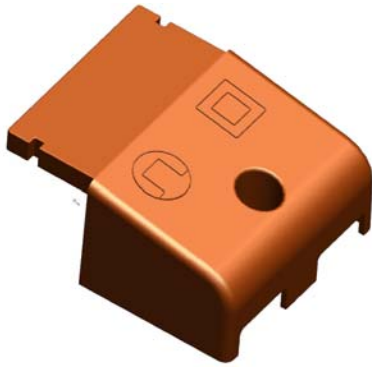


Figure 1

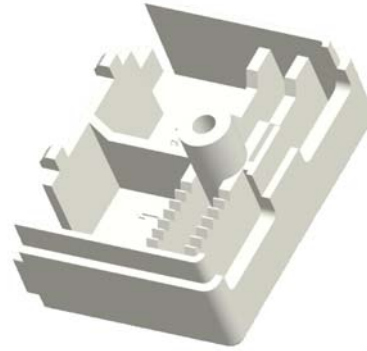


Figure 2

Ordering data

| Type | Packaging carton | Weight per pc. | Figure |
|--------|------------------|----------------|--------|
| AWK068 | - | - | 1 |
| AWK059 | - | - | 2 |